


RemSwitch

IXL Remote Switch Module

ENGINEER AND ARCHITECT SPECIFICATIONS

- Remote Reset
- Remote Acknowledge
- Remote Drill
- Generic Switch
-  Listed, ULC Listed, FM, CSFM, NYMEA Approved



Description

The RemSwitch remote switch module is designed for use with the CZI Series modules. The RemSwitch module is a switch that provides the necessary hardware, when used with a CZI module, to perform any one of the following remote IXL functions, Remote Acknowledge, Remote Reset, Remote Drill, Generic Switch.

The Remswitch module contains a UL listed supervised key operated momentary switch. The switch is normally open. When the switch key is inserted and the operator turns the key, the switch closes. The CZI receives the closed switch input. When the operator removes the switch key, the switch is in the normally open position.

Engineer and Architect Specifications

A model RemSwitch module designed for use with the CZI Series modules of the IXL system shall be used to provide any one of the following operations: Remote Acknowledge, Remote Reset, Remote Drill, Generic Switch.

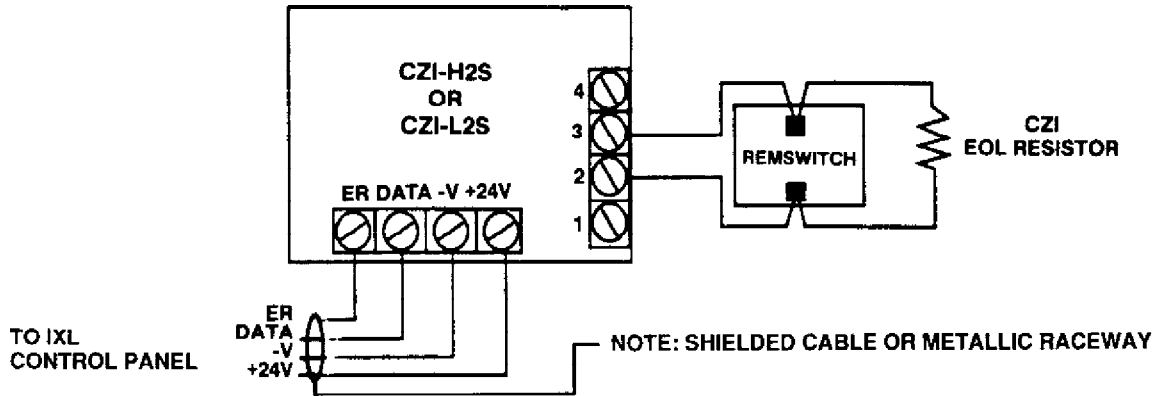
Mounting and Installation

Install the RemSwitch in a single gang backbox that is 2 1/8 inch deep.

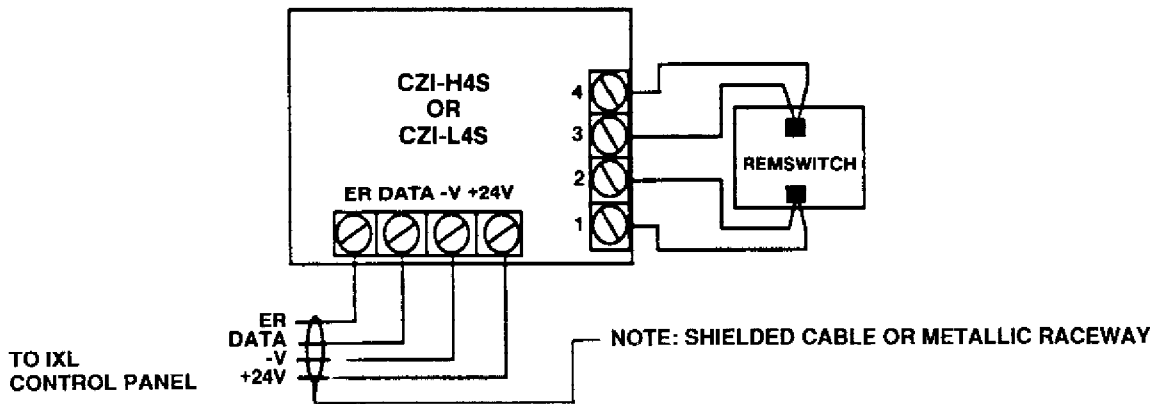
Note: For Electrical Operating Characteristics, reference the CZI Series Module.

Wiring Diagram

EOL Resistor Chart			
Type	Model No.	Res Value	Part No.
Low Current	CZI-L2S	15K OHMS	140-820400
High Current	CZI-H2S	4.7K OHMS	140-820388



CZI/REMSWITCH CLASS B WIRING DIAGRAM



CZI/REMSWITCH CLASS A WIRING DIAGRAM

Ordering Information

Model	Description	Part Number
RemSwitch	Key Switch for CZI on IXL	500-691906



Cerberus Pyrotronics
 8 Ridgedale Ave.
 Cedar Knolls, NJ 07927
 Tel: (201) 267-1300
 FAX: (201) 397-7008

4/96
 5M
 CPY-IG
 Printed in U.S.A.

Cerberus Pyrotronics
 50 East Pearce Street
 Richmond Hill, Ontario
 L4B, 1B7 CN
 Tel: (905) 764-8384
 FAX: (905) 731-9182

March 1994
 Supersedes sheet dated 6/93

NOTICE: The use of other than Cerberus Pyrotronics detectors and bases with Cerberus Pyrotronics control equipment will be considered a misapplication of Cerberus Pyrotronics equipment and as such void all warranties, either expressed or implied in regard to loss, damage, liabilities and/or service problems.