


CZI Series

IXL Collective Zone Interface Modules

ENGINEER AND ARCHITECT SPECIFICATIONS

Models CZI-H2S, CZI-H4S, CZI-L2S and CZI-L4S

- Monitors Conventional 2-Wire Smoke Detectors and Normally Open Initiating Devices
- Surface or Flush Mounting
- Each Module is Address Programmable
- Field Programmable
- Built in LED Indicator
- LED Pulses Indicating Connection to Network Communication Line
- Requires no DIP Switch Programming
- Screw Terminals Provided
- No Auxiliary Power Supply Required
-  Listed, ULC Listed, FM, CSFM and NYMEA Approved



Description

Cerberus Pyrotronics CZI Series, Collective Zone Interface Modules are used to connect initiating devices to the IXL. CZI-H initiating circuits are capable of supporting conventional, 2-wire type detectors as well as contact type devices, while CZI-L initiating circuits support contact type devices only. Associated with each CZI is an LED that indicates both normal and alarm status. CZI's are available with either 2 or 4-wire initiating device circuits and for either surface or flush mounting.

Engineer and Architect Specifications

Collective Zone Interface, CZI Series models, shall be provided for supporting conventional initiating devices. CZI-H Series shall support both detectors and direct shorting initiating devices. CZI-L Series shall support direct shorting initiating devices only. CZI shall incorporate an integral pulsing LED for confirmation that the CZI is active. This LED shall change from pulsing to steady state upon an alarm condition for quick identification of the alarming device.

Operation

The Collective Zone Interface Module's electronics are designed to monitor the initiating device wiring for trouble and alarms. In its quiescent mode of operation, each Collective Zone Interface displays a pulsing LED, indicating quiescent operation of the zone and proper connection to the Network Communication Line.

When the Collective Zone Interface is in an alarm condition, the interface reports the alarm condition to the Control Panel. At the same time the status of the zone is reported to the Control Panel, the LED will be lit continuously and the state of the zone (non-latching monitored loop requires latching input device) becomes latched until the interface receives a reset command from the Control Panel. Once the reset command is received, the CZI will resume its quiescent mode of operation.

In its trouble mode of operation, each CZI displays a pulsing LED indicating quiescent or active operation of the zone. If the trouble signal is derived from the improper connection to the Network Communication Line, then the LED will not flash normally.

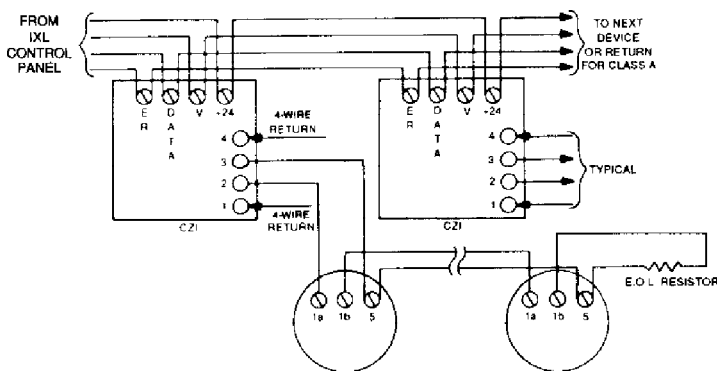
Programming

Programming of the CZI must be performed when a new unit is installed on a system. In order to program a CZI, the Control Panel must be placed in the programming mode and the address will be assigned to the CZI that has the programming tool applied to it. The circuit must also be programmed to the specific application of the device and unit being driven within the CZI loop.

Installation

CZI's should be installed in accessible locations for maintenance purposes. They should be mounted in visible locations so that their LED's may be seen for quick status verification.

Wiring Diagram



Mechanical and Environmental

Input Power: 24 VDC (from Network Communication Line)
 Operating Temperature: 0°C to +49°C
 Relative Humidity: 85%, non-condensing
 Dimensions: CZI is a 4³/₄" x 4³/₄" x 1⁵/₈"
 Flush Trim is 5³/₄" x 5³/₄" x 1/2"
 Mounting Box: 2" deep, 4¹/₁₆" sq. device box

Compatible CZI-H Detectors		
Model	Type	Max. Quantity
DT-3P	Thermal	16
DI-3 Series	Ionization	16
PE-3 Series	Photoelectric	16
PE-3T Series	Photo/Thermal	8
DF-1	Flame	8
DF-3/3A	Flame	8
DF-30	Flame	8
S121	Flame	8
S122	Flame	8
S-2406	Flame	8
PB-2400	Projected Beam	1

Note: Detector driven options not compatible with CZI.

Ordering Information

Model No.	Part No.	Description
CZI-L2S	500-679630	"Contact Only," 2-wire, Collective Zone Interface, Class B
CZI-L4S	500-679631	"Contact Only," 4-wire, Collective Zone Interface, Class A
CZI-H2S	500-679632	High Current, 2-wire, Collective Zone Interface, Class B
CZI-H4S	500-679633	High Current, 4-wire, Collective Zone Interface, Class A
FR5	500-679629	Semi-flush trim ring for CZI and CE-S
MAG	500-679601	Programming tool

NOTICE: The use of other than Cerberus Pyrotronics detectors and bases with Cerberus Pyrotronics control equipment will be considered a misapplication of Cerberus Pyrotronics equipment and as such void all warranties, either expressed or implied with regard to loss, damage, liabilities and/or service problems.



Cerberus Pyrotronics
 8 Ridgedale Ave.
 Cedar Knolls, NJ 07927
 Tel: (201) 267-1300
 FAX: (201) 397-7008

8/96
 5M
 CPY-IG
 Printed in U.S.A.

Cerberus Pyrotronics
 50 East Pearce Street
 Richmond Hill, Ontario
 L4B, 1B7 CN
 Tel: (905) 764-8384
 FAX: (905) 731-9182

May 1995
 Supersedes sheet dated 3/94