


# CE-S

## IXL Control Element Module

### ENGINEER AND ARCHITECT SPECIFICATIONS

- Form C Relay Contacts
- Field Programmable
- Requires No DIP Switch Programming
- Solid LED to Indicate Activation
- Scew Terminals Provided
-  ULC Listed, FM, CSFM and NYMEA Approved



### Description

The CE-S Addressable Control Element provides a set of Form C relay contacts, and addressable electronics to allow its use on the IXL System's Network Communication Lines. An optional trim plate, model FR5, is available for flush mounting. Each control element contains an LED for indication of normal monitoring or alarm activation.

### Engineer and Architect Specifications

A control element shall be provided as model CE-S. This device shall be connected to the Network Communication Lines, and be field programmable for one of the following options; Remote Relay (Form C, 1 Amp. 24 VDC, 200mA 120 VAC) with supervised relay operation, or Remote Signal/ Audio Circuit (1 Amp.). There shall be an LED on the device that will flash to indicate the unit is being monitored and a steady LED to indicate the unit has been activated.

### Operation

The CE-S Control Element connects directly to the system's Network Communication Line via either NFPA Standard 72, Style 6 (Class A) or NFPA Standard 72 Style 4 (Class B) wiring Configuration.

In the quiescent mode, the addressable electronics located in the Control Element monitors the unit for internal operational status. The Control Element in its quiescent mode will flash a red LED to indicate that the monitored device is active and functional. In this state, the Form C contacts associated with the Control Element are in a de-energized state.

When an alarm occurs, the system program causes the associated Control Element to activate. When the Control Element is activated, it reacts by energizing its relay. The relay will remain energized as long as the Control Element is activated. The LED on the cover plate will remain lit continuously to indicate activation.

The Control Element will report a Trouble whenever there is a break in the external wiring when internal circuitry fails or if there is a Network Communication Line Break.

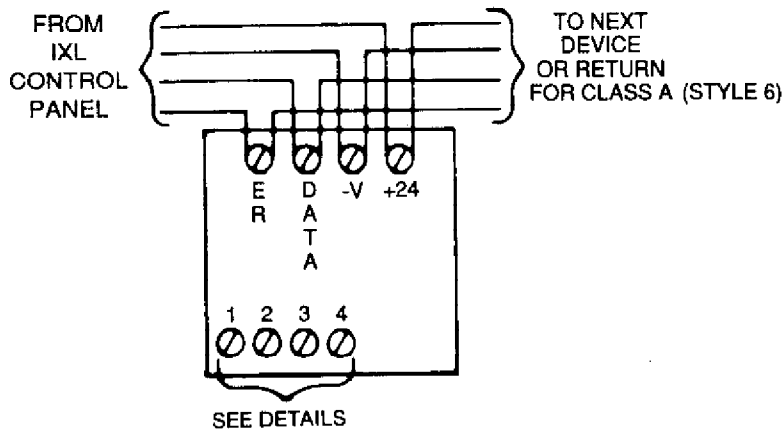
## Programming

Programming of Control Elements must be performed when a new unit is installed. In order to program a Control Element, the control panel must be placed in the programming mode. The address will be assigned to the Control Element that has the Programming Tool applied to it. The CE-S must have an EOL device in place to program if it is configured as a remote signal circuit. Also refer to the IXL Programming Manual for CE-S and system configuration programming details.

## Installation

CE-S Control Element(s) should be installed in accessible locations for maintenance purposes. They should be mounted (surface or flush) in visible locations so that their status LED may be seen for quick and easy verification.

## Wiring Diagram

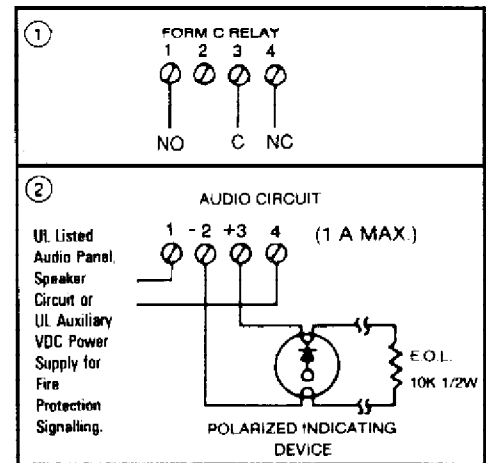


## Mechanical and Environmental

<b>Operating Temperature:</b>	0°C to 49°C
<b>Relative Humidity:</b>	93%, non-condensing
<b>Input Current:</b>	1.5mA (deactivated) 10mA (relay activated)
<b>Operating Voltage:</b>	24 VDC (from Network Communication Line)
<b>Contact Rating:</b>	1Amp. at 30 VDC 0.2 Amp. at 120 VAC
<b>Relay:</b>	Form C Contact
<b>Control Element Housing:</b>	standard electrical box 4 11/16" x 4 11/16" x 2"
<b>Dimensions:</b>	4 3/4" x 4 3/4" x 1 5/8"
<b>Flush Ring:</b>	5 3/4" x 5 3/4" x 1/2"

## Ordering Information

Supplied	Quantity	Part Number	Description
<input type="checkbox"/>	_____	CE-S	Surface Mount Control Element
<input type="checkbox"/>	_____	FR5	Flush Trim Ring
<input type="checkbox"/>	_____	MAG	Programming Tool



### Notes:

1. Use 18 AWG minimum wire.
2. Limit the maximum ohms per pair to 80.
3. Use shielded twisted pair.
4. End the shield ONLY at the MMB-1 enclosure.



Cerberus Pyrotronics  
8 Ridgedale Ave.  
Cedar Knolls, NJ 07927  
Tel: (201) 267-1300  
FAX: (201) 397-7008

6/96  
5M  
CPY-IG  
Printed in U.S.A.

Cerberus Pyrotronics  
50 East Pearce Street  
Richmond Hill, Ontario  
L4B, 1B7 CN  
Tel: (905) 764-8384  
FAX: (905) 731-9182

January 1995  
Supersedes sheet dated 12/93