

EVS-LOC Local Operator Console

The EVS-LOC Local Operator Console is a combination EVS-RVM Remote Voice Module and its associated 6860 annunciator which is compatible with the Emergency Voice System.

Note: Installation and wiring of this device must be done in accordance with NFPA 72 and local ordinances.

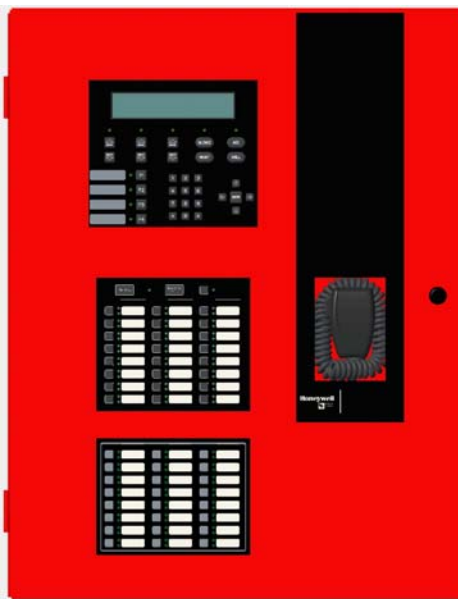


Figure 1: EVS-LOC cabinet

Compatibility

The EVS-LOC is compatible with the Honeywell Silent Knight 5820XL-EVS or 6820EVS.

For more information refer to the FACP Installation manual.

Electrical Ratings

Standby Current: 100 mA

Alarm Current: 150 mA

Mounting the Cabinet

1. Remove doors by sliding them over the two pins in the hinge bracket of the base. The

outer hinge pins are for the door, the inner hinge pins are for the dead front. See Figure 3.

2. Remove AC power and disconnect the backup batteries from the main control panel.

When mounting on interior walls, use appropriate screws such as #10 sheet rock or concrete screw to anchor into plaster. When mounting on concrete, especially when moisture is expected, attach a piece of $\frac{3}{4}$ " plywood to the concrete surface and then attach the EVS-LOC to the plywood.

Surface Mounting

The cabinet can be mounted on the wall surface by using the mounting holes in the back of the cabinet.

1. Mark and predrill holes in the wall for the center top keyhole mounting bolts using the dimensions in Figure 2.
2. Place backbox over the top screws, level and secure.
3. Install remaining fasteners and tighten.

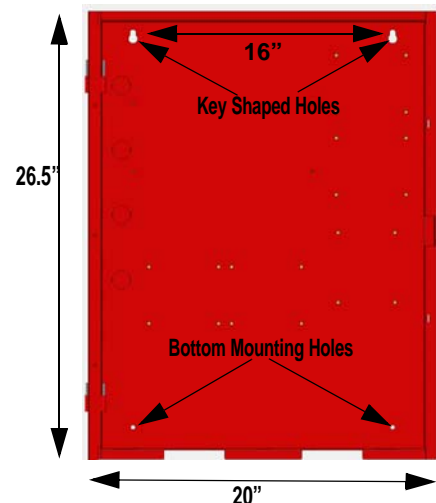


Figure 2: Cabinet Mounting Holes

Recessed Mounting

Follow these steps to recess mount the cabinet:

1. Cut a recess hole. There should be 1.5" to bottom edge to the exterior side of the

1.75" of cabinet extruding from the wall, this should be measured from either the top edge or bottom edge to the exterior side of the sheet rock.

2. Mount the cabinet to wall studs by inserting a screw through the cabinets side mounting holes into the wall stud.
3. To reinstall the doors, the top hinge should be aligned first, followed by the lower.

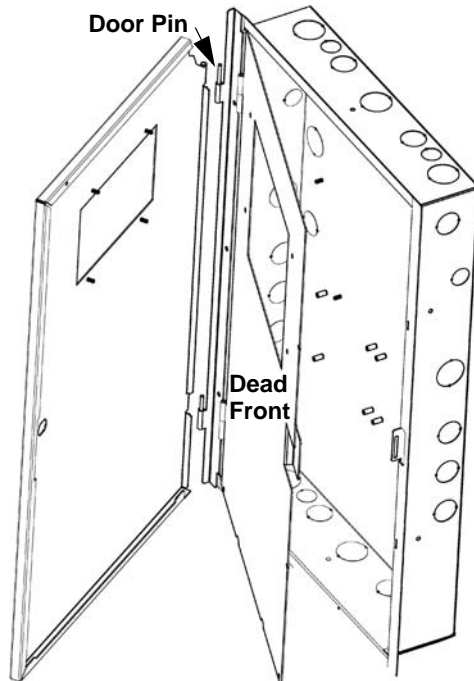


Figure 3: EVS-LOC Cabinet

Board Layout

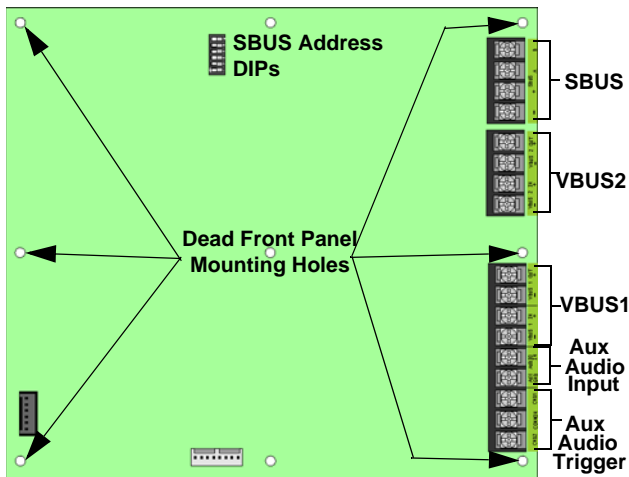


Figure 4: Back view of ECS-LOC board

Wiring to a FACP

See Figure 5 to properly wire the EVS-LOC to the FACP SBUS.

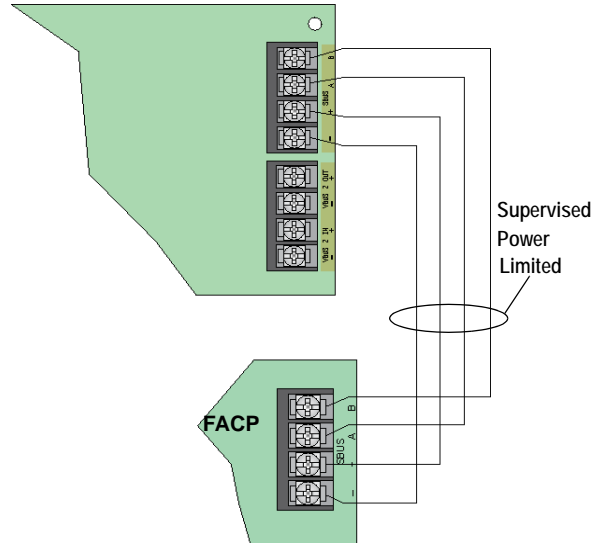


Figure 5: Wiring the to the FACP

Installing the Microphone

To install the microphone:

1. Clip the microphone into the microphone clip. See Figure 6.

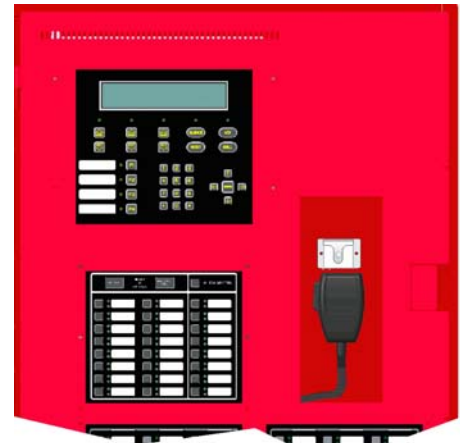


Figure 6: Hang Microphone into Microphone Clip

2. Insert microphone cord through hole at the bottom of the dead front panel. See Figure 7.



Figure 7: Microphone Cord Inserted Through Dead Front Panel Hole

3. Attach strain relief clip to microphone cord. The strain relief clip should have about $2\frac{3}{4}$ " of microphone cord through it. See Figure 8.

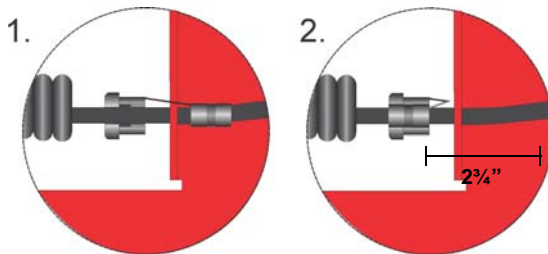


Figure 8: Installing Strain Relief Clip

4. Push the strain into the hole in the dead front panel.
5. Restore AC power and reconnect the backup batteries.

Optional Accessory

THUMBLTCH - Turn latch lock (not intended for UL installations)