

5495

Distributed Power Module

The 5495 Distributed Power Module is the most powerful and cost-effective power supply available today. It delivers 6 amps of notification appliance circuit power and built-in synchronization for appliances from System Sensor®, Gentex®, AMSECO®, and Wheelock. The 5495's switch mode power supply design is up to 50% more efficient than competitive linear mode power supplies. Also, ADA retrofits are easier and less expensive with the 5495 because it integrates into current systems without the costly investment in new components.

The 5495 is a 6 amp notification power expander that provides its own AC power connection, battery charging circuit, and backup battery. The 5495 is the cost-effective solution for powering notification appliances required by the Americans with Disabilities Act (ADA). The 5495 has built-in ANSI cadence pattern, which can upgrade older control panels that lack cadence capability.

CONNECTION TO LOCAL FIRE CONTROL

The 5495 may be connected to a local fire control which utilizes Class A or Class B type notification circuits operating between 9 and 32 VDC. The control panel's notification circuit is connected to one of the inputs on the 5495. The control panel's notification circuit end-of-line resistor is also connected across two terminals on the 5495, which provides supervision between the 5495 and the fire control panel. Polarized audible and/or visual notification devices are then connected to the 5495 signal circuits using the 4.7kΩ end-of-line resistors provided. Since the 5495 draws very little power from the control, it is possible to connect one 5495 to each notification circuit on the control panel and still provide full supervision of the notification circuits all the way back to the control panel.

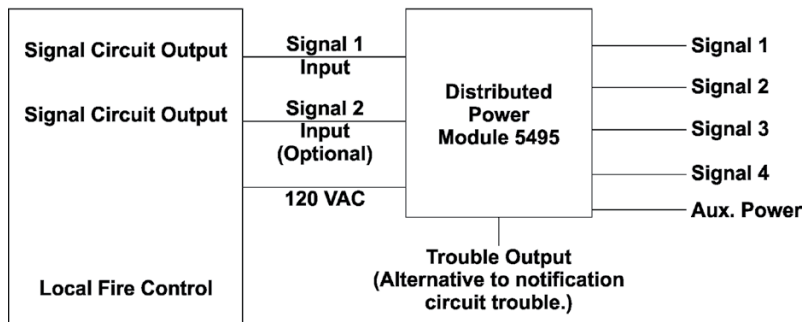


5495

FEATURES & BENEFITS

- UL Listed for 6 amps of notification power
- Power supply's advanced switch mode design reduces damaging heat and manages power up to 50% more efficiently than other systems
- Dip switches allow for easy reconfiguration
- 24 VDC filtered output voltage
- Four power-limited notification outputs; 2 Class A or 4 Class B, or 1 Class A and 2 Class B
- Additional continuous auxiliary output
- 3 amps per output circuit
- 2 inputs; 2 Class B or 2 Class A
- Ground fault detector/indicator
- Independent trouble relay
- AC loss delay option shuts off power to non-essential high-current accessories like magnetic door holders
- Built-in synchronization for appliances from System Sensor®, Gentex®, AMSECO®, and Wheelock
- Stand alone operation
- Lightweight design adds to ease of installation and reduces shipping costs
- Operates with most polarized, UL Listed notification devices
- ANSI Cadence pattern output capability built-in

Model 5495 Block Diagram



For a complete listing of all compliance approvals and certifications, please visit www.silentknight.com.

Microsoft, Windows, and the Windows Logo are registered trademarks or trademarks of Microsoft Corporation.

System Sensor® and Honeywell® are registered trademarks of Honeywell International, Inc

This document is not intended to be used for installation purposes. We try to keep our product information up-to date and accurate. We cannot cover all specific applications or anticipate all requirements. All specifications are subject to change without notice.

For Technical Support, call 800-446-6444.

SUPERVISION

The 5495 supervises a variety of functions including:

- Low AC power
- Low battery condition
- Earth ground fault
- Auxiliary output power limit condition
- EOL supervision trouble or power limited condition at an output

When a trouble condition occurs, the 5495 creates a trouble condition on the host control signal circuits to which it is connected. the 5495 still maintains the ability to be activated by the host control. In addition, the 5495 provides a Form C trouble relay output as an alternative to using the notification circuit trouble.

PHYSICAL

Dimensions: 12.25"W x 16"H x 3"D (30.88 cm W x 40.64 cm H x 7.62 cm D)

ENVIRONMENTAL

Operating Temperature: 32°F to 120°F (0°C to 49°C)

Humidity: 10% - 93% non-condensing)

ELECTRICAL

AC input: 120 VAC at 2A

Output: 24 VDC at 6A

Current: Standby 75mA; Alarm 205mA

Auxiliary power circuit: 1

Notification circuits: 4

Output configuration: 2 Class A (Style Z); 4 Class B (Style Y) (1 Class A & 2 Class B)

Amps per output circuit: 3.0 (6.0 amps total)

Notification circuit output: Alarm Current (for typical voltages) drawn from main panel's notification appliance circuits.

12 VDC 6.5 mA

24 VDC One input circuit: 15 mA; Both input circuits: 0 mA

No. of inputs: 2

Input configuration: 2 Class B or 2 Class A

Input voltage range: 9 - 32VDC

Battery charging capacity: 35.0AH

INDICATOR LIGHTS

AC power on : Green

Battery trouble: Yellow

Ground fault: Yellow

Aux trouble: Yellow

Output troubles (1-4): Yellow

ORDERING INFORMATION

5495: Distributed Power Module

ACCESSORIES

SK-SCK: Seismic Compliance Kit

AGENCY LISTINGS

- UL listed
- CSFM 7300-0559:123
- Meets NFPA 72 requirements
- MEA 429-92-E Vol XII
- OSHPD (CA) OSP-0065-10

For more information

Learn more about Honeywell Silent Knight and other products by visiting www.silentknight.com

Honeywell Silent Knight

12 Clintonville Road
Northford, CT 06472
800-328-0103

Doc 350395| Rev HI 11/17
© 2017 Honeywell International Inc.

