

Harrington Signal Inc.
2519 4th Avenue, Moline, Illinois 61265
P.O. Box 590, Moline, Illinois 61266-0590
Phone: (800) 577-5758 Local: (309) 762-0731 Fax: (309) 762-8215
Internet: www.harringtonfire.com



Description

The FireSpy® Tracker T8000 FACP features a modular design that can be either addressable and/or conventional. The basic unit can be ordered with 2 or 4 SLC circuits or 10 Class B / 5 Class A conventional zones with or without a Dialer, all installed in the main FACP cabinet.

With different combinations of expansion cabinets, the Tracker may be expanded up to 8 SLC Circuits and/or 60 Class B or 30 Class A conventional zones.

Each addressable module T-LCU supports 2 SLC's that can be programmed for either I-Spy / XP95 Series addressable devices (126 points per SLC) or System Sensor addressable devices (99 detectors / 99 modules).

The FireSpy® Tracker T8000 can be fully programmed from the keypad of the FACP or from a PC with the FireSpy® software package.

The Tracker T8000 FACP supports a Digital Alarm Communicator Transmitter (T-UDACT) that can be mounted in the FACP enclosure or in a remote enclosure. The T-UDACT supports either SIA or Contact ID format to the Central Station. The T-UDACT has a built in speaker for

audible feedback, which can be enabled or disabled.

Features

- Modular Design
- Auto Learn Programming
- Fully programmable through Keypad on Panel
- USB or Null Modem Cable interface programming via PC
- Network Peer to Peer up to 250 panels
- System will have 250 system groups and 250 network groups (w/optional network module T-NCA)
- Serial Printer Interface Non-Supervised
- All Modules can be remotely placed
- RS-485 bus provides communication to modules
- Addressable Module (T-LCU) supports 2 SLC's per module
- Expandable up to 4 T-LCU's modules for total of 8 Addressable SLC's
- Detectors provide Drift Compensation¹



- Detectors have Flash / Non-Flash LED Option per Detector¹
 - Alarm Verification²
 - Day / Night Sensitivity Schedule for Detectors
 - Holiday Schedule 20 days per year
 - Analog Intelligent
 - SLC's support I-Spy / XP95 (126 devices) or System Sensor (198 devices) protocol
 - SLC's can be individual Protocol Selectable
 - Conventional Module (T-CM) 5 Class A or 10 Class B zones per module
- Features Continued on Next Page*

Ordering Information

Model Number	Part Number	Description
T8-P-U	T8-P-U	2 Addressable SLC FACP, Class A or B (System Sensor / I-Spy / XP95
T8-P-UD	T8-P-UD	2 Addressable SLC FACP, Class A or B (System Sensor / I-Spy / XP95 w/ T-UDACT
T8-P-2U	T8-P-2U	4 Addressable SLC FACP, Class A or B (System Sensor / I-Spy / XP95
T8-P-2UD	T8-P-2UD	4 Addressable SLC FACP, Class A or B (System Sensor / I-Spy / XP95 w/ T-UDACT
T8-P-C	T8-P-C	Conventional FACP, 10 Zones Class B or 5 Zones Class A
T8-P-CD	T8-P-CD	Conventional FACP, 10 Zones Class B or 5 Zones Class A w / T-UDACT
T-EXP-U	T-EXP-U	1 T-LCU Addressable SLC Bd in Exp. Cabinet, Class B or Class A (System Sensor / I-Spy / XP95)
T-EXP-2U	T-EXP-2U	2 T-LCU Addressable SLC Bd in Exp. Cabinet, Class B or Class A (System Sensor / I-Spy / XP95)
T-MBC	T-MBC	Main Control Assembly, includes chassis, MCC, PDC, PC and power supply RL980, 120VAC
T-LCU	T-LCU	2 Loop Addressable SLC Board for Class B or Class A (System Sensor / I-Spy / XP95)
T-CM	T-CM	Conventional Module Board w/ 10 Zones Class B or 5 Zones Class A
T-EXP	T-EXP	Small Expander Cabinet for boards to be placed in remote locations (holds 2 T-LCU Boards or 1 T-SRM Board or 1 T-CM Board)

Ordering Information Continued on Next Page



Ordering Information Continued

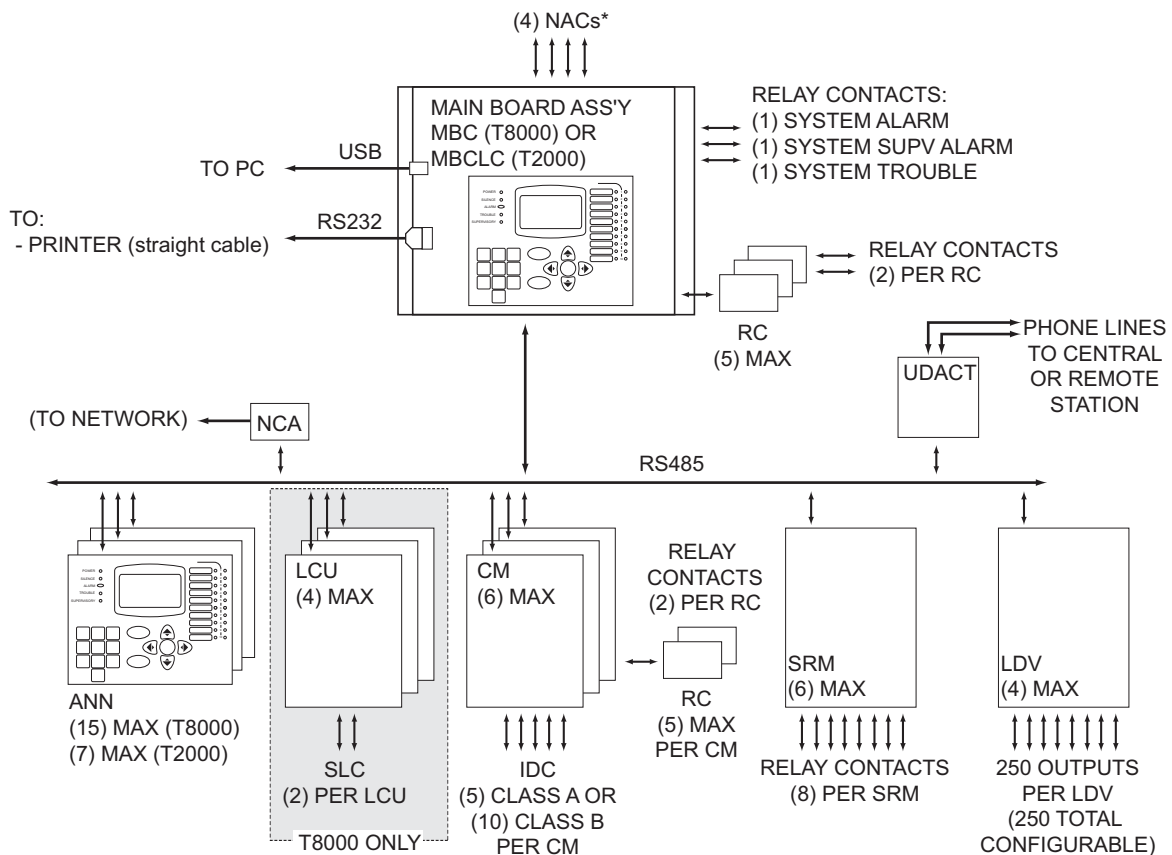
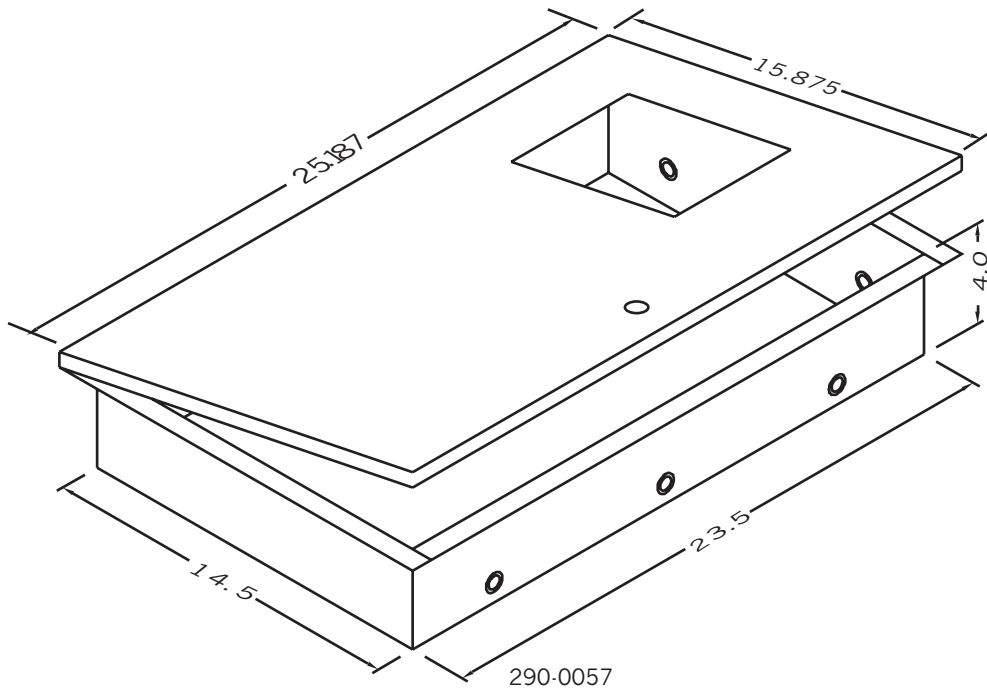
Model Number	Part Number	Description
T8-CAB		Cabinet for T8-P-U, T8-P-UD, T8-P-2U, T8-P-2UD, T8-P-C & T8-P-CD
T-EXP5-CR	T8-CAB	Conventional Module Bd in Expander Cabinet, 10 Class B or 5 Class A w/ 1 T-RC Board
	T-EXP5-CR	(2 form C contacts - can hold up to 5 T-RC Relay Boards)
T-EXP5	T-EXP5	Relay Board Expander Cabinet Only - (can hold up to 5 T-RC Relay Boards)
T-EXP5N-R	T-EXP5N-R	1 T-RC Relay Board in Expander Cabinet (can hold up to 5 T-RC Relay Boards)
T-EXPD	T-EXPD	T-UDACT or T-NCA Expander Cabinet
T-ANN	T-ANN	Remote LCD Annunciator Board in Cabinet for the T2000 and T8000, Red
T-UDACT	T-UDACT	Universal Dialer Board (SIA or Contact ID)
T-NCA	T-NCA	Network Module Board
T-PDCR	T-PDCR	Remote LCD Annunciator Board without Cabinet for T2000 and T8000
T-RC	T-RC	Relay Boards w/ 2 Programmable Relays, connects off the MCC or CM Module Boards. (Cable is needed to 1st T-RC board connection, 5 board limit per connection.)
T-SRM	T-SRM	Serial Relay Module Board w/ 8 Programmable Relays
T-LDV	T-LDV	Lamp Driver Module Board w/ up to 250 outputs, LED's or Lamps
TG-CBL-RC	TG-CBL-RC	Cable to connect T-RC Board to the MCC Board or T-CM Module Board, 14"
TG-CBL-RC-36	TG-CBL-RC-36	Cable to connect T-RC Board to the MCC Board or T-CM Module Board, 36"
T-ACAB	T-ACAB	Remote Annunciator Cabinet Only
T-SIM	T-SIM	Simulator (Special Order)
T-KIT	T-KIT	Mounting Hardware Kit for Expander Cabinets (stand-offs, nuts & screws)
T-KIT-RC	T-KIT-RC	Mounting Hardware Kit for T-RC, T-UDACT & T-NCA Boards (screws)
TG-CBL-USB	TG-CBL-USB	USB Programming Cable T2-P FACP & T8-P FACP
440-8021	440-8021	Cat 15 Lock & Key
TG-CBL-NULL	TG-CBL-NULL	Null Modem Cable, DB9F to DB9F, 6'
440-0293	440-0293	Cat 15 Key Only

Features Continued

- Expandable up to 30 Class A or 60 Class B conventional zones (6 T-CM boards per system)
- Serial Relay Module (T-SRM) provides 8 programmable relay contacts
- System supports 6 T-SRM's for a total of 48 programmable relay contacts
- Lamp Driver Module (T-LDV) provides up to 250 outputs to drive lamps
- Lamps may be LEDs or Incandescent bulbs (4 T-LDV per FACP)
- 15 Remote annunciators (T-ANN) per FACP
- Remote reset programmable per each annunciator
- Supervisory can be set up as latching / non-latching event
- Inputs can be set up as non-reporting latching or non-reporting non-latching event
- Output Delay by Groups
- Normal Walk Test
- Silent Walk Test
- 4 built in NAC output circuits rate at 3 Amps each and 7 Amps total per FACP
- NAC outputs can be configured for Gentex Sync Protocol
- NAC outputs can be configured as 24 VDC continuous or resettable power source
- NAC outputs can be programmed as an Input dry contact circuit for Alarm / Water Flow / Pull Station / Supervisory Conditions
- Digital Alarm Communicator Transmitter (T-UDACT)
- T-UDACT Supports SIA and Contact ID Format
- T-UDACT has built on speaker with enable or disable feature for installation troubleshooting
- T-UDACT has unsent event log purge switch

¹ IS Series Only (Excluding IS819 & IS820)

² XP95 and System Sensor Series detectors Only



* MAY BE INDIVIDUALLY CONFIGURED AS NAC, AUX POWER, OR INPUT
A SYSTEM MUST USE AT LEAST ONE INITIATING DEVICE



FireSpy® Tracker T8000

Fire Alarm Control Panel

Engineering Specifications

The panel shall be a Harrington Signal FireSpy® series Tracker T8000, modular type design with option of having either addressable SLC's and / or conventional zones with the option of adding on modules for other user applications. The Tracker T8000 shall support the following modules: T-LCU, T-CM, T-SRM, T-UDACT, T-LDV, T-ANN, and T-NCA.

The basic Tracker T8000 addressable panel shall consist of 2 SLC's (1 T-LCU board) and expandable to eight SLC's (w/ T-EXP enclosure), and / or optional 10 zones conventional (1 T-CM board), expandable to 60 zones conventional (w/ T-EXP enclosure). The basic system shall be capable of operating either I-Spy / XP95 series or System Sensor series addressable devices on the SLC's.

The T-LCU shall support either I-Spy / XP95 or System Sensor addressable devices per SLC. The T-LCU shall support up to 126 addressable points of I-Spy / XP95 series of either detectors or modules or 99 detectors and 99 modules of the System Sensor series.

The Tracker T8000 shall have auto programming from the keypad or programming from a PC with the FireSpy® Tracker software package. The panel shall have the capability of connecting to a modem (T-MOD) for off-site programming and trouble shooting (accessory only).

The Tracker T8000 shall have four output circuits that can be configured in eight different modes of operation. The Tracker T8000 shall have built in sync for combination horn / strobe circuits. The Tracker T8000 shall have 250 panel group association and 250 network group associations. The Tracker T8000 shall have a T-NCA module one per FACP to network up to 250 panels in a peer to peer network.

The Tracker T8000 shall be expandable to have the Digital Alarm Communicator Transmitter (T-UDACT) for off-site communication transmissions of alarm, supervisory and trouble conditions to the Central Station, using SIA or Contact ID communication format.

The Tracker T8000 shall be expandable to have up to 15 remote annunciators (T-ANN) connected per panel. Each being able to be set up for remote reset from each individual annunciator.

The Tracker T8000 shall be expandable to have a lamp driver module (T-LDV) that will provide outputs to drive a supervised lamp. Lamps may be LED's or incandescent bulb. The Tracker T8000 panel allows programming for up to 250 outputs shared among up to four T-LDV's. Each T-LDV may drive up to 250 of the programmable outputs.

The Tracker T8000 shall be expandable to connect to the T-SRM serial relay module that provides eight programmable relay contacts. Each relay contact may be programmed with up to 10 different group associations. The Tracker T8000 supports up to six T-SRMs, for a total of 48 programmable relays. The T-SRM may be mounted in the main cabinet or remotely in an external cabinet (w/ T-EXP enclosure).

NOTICE: The information contained in this document is intended only as a summary and is subject to change without notice. The devices described in this document have specific instruction sheets which cover various technical, limitation and liability information. Copies of these instruction sheets and the General Product Warning and Limitations Document, which also contains important information are provided with the product and are available from Harrington Signal Inc. Fire Alarm. Information contained in these documents should be consulted before specifying or using the product. For further information or assistance concerning particular problems contact Harrington Signal Inc. Harrington Signal Inc. Fire Alarm reserves the right to change specifications without notice. Modem is an accessory only (non UL listed)

Call for availability on items not listed in the ordering information