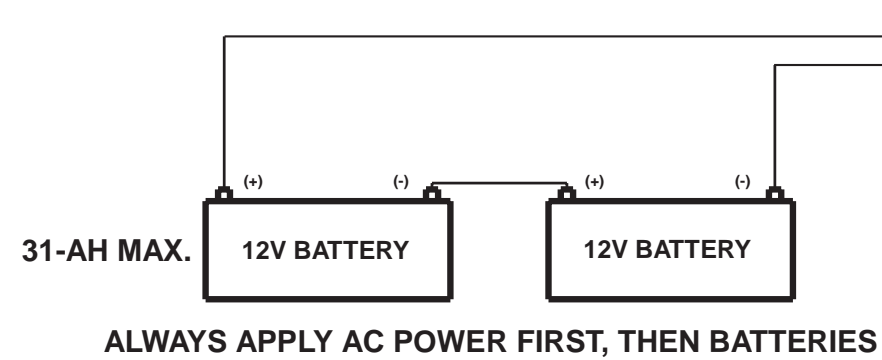


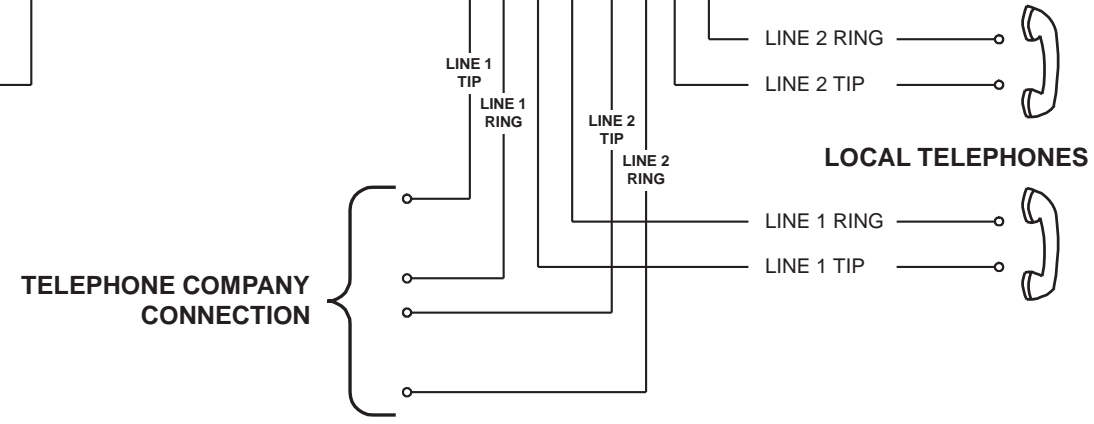
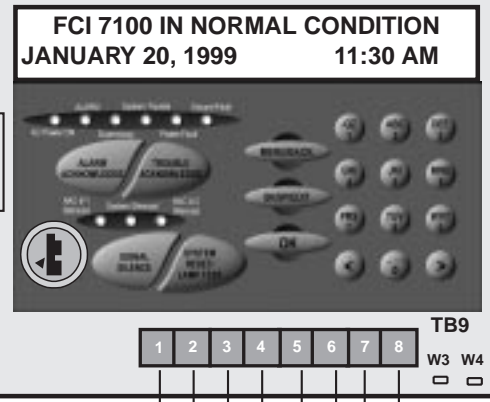
**JUMPERS**

- W1 NOT USED
- W2 OUT TO DISABLE BATTERY
- W3 IN-NO LOCAL PHONE LINE1
- W4 IN-NO LOCAL PHONE LINE 2



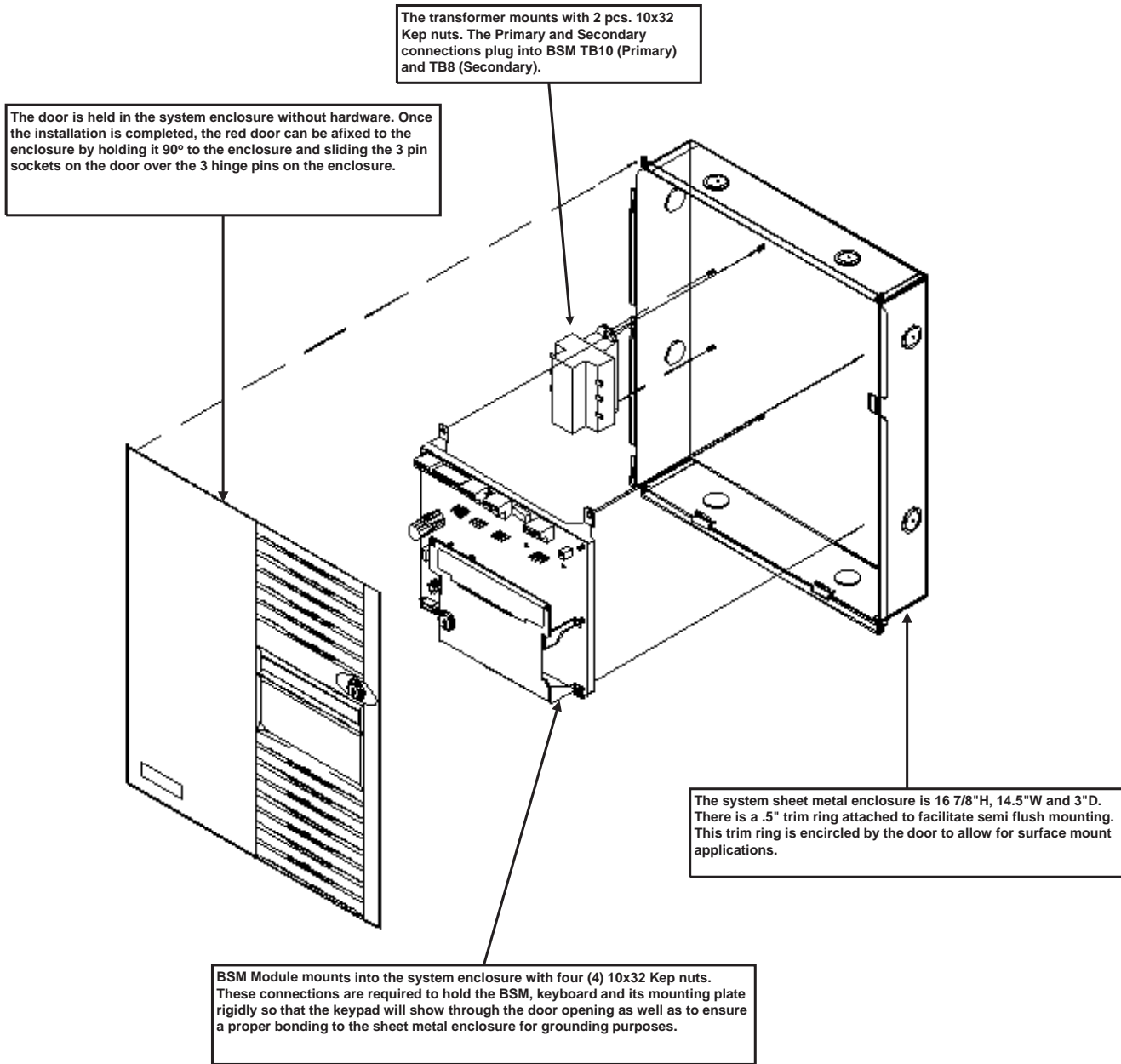
CAOM Installation Sheet  
P/N 9000-0454  
MCOM Installation Sheet  
P/N 9000-0455  
PTRM Installation Sheet P/N 9000-0456  
7100 Installation Manual  
P/N 9000-0447

**FCI 7100 SERIES**

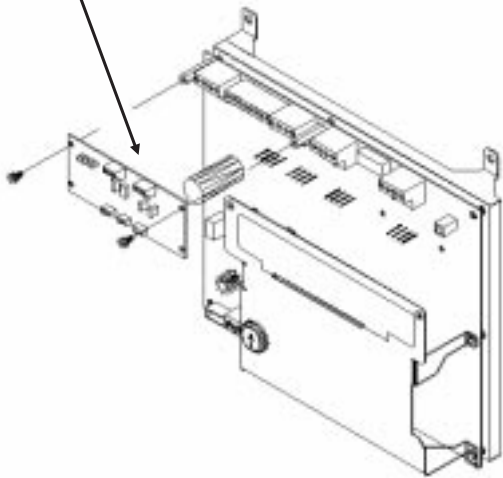


**Initial Power Up and Setup of the FCI 7100.**

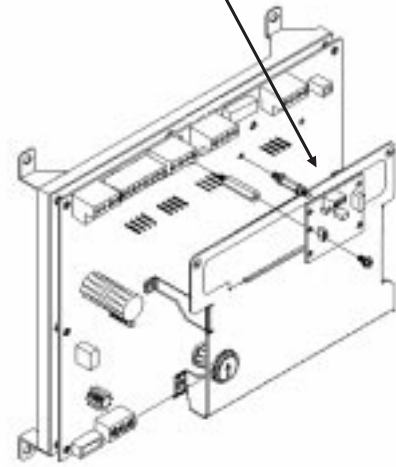
- Power up Procedure:**
1. Ensure that all cables and optional modules (if any) are installed and secured per the installation instructions. DO NOT install any field wiring at this time. Connect end of line resistors to NAC and municipal (if option is installed) circuits.
  2. Power the 7100 with AC first. The system will initialize and indicate a "battery missing" condition.
  3. Connect the batteries (observe polarity).
  4. The system should be in normal condition. You may proceed with the installation of field wiring. Please check all wiring prior to connection to this fire alarm control panel. Do not use this control as a circuit tester.
- To set the system time (keyswitch must be engaged):
1. Press the **Menu/Back** button on the system keypad and enter the level 1 password, "111111" (factory default).
  2. Press the **OK** button.
  3. The Main Menu will be displayed. Press the number 4 and the Clock Menu will be displayed.
  4. Number 1 opens the **Time** setup, 2 opens the **Date** Setup, 3 opens the **Day/Night** setup, 4 opens the **Weekend** Setup and 5 opens the **Holiday** Setup. The data is entered by using the numeric keypad and the OK button when each section is completed. The **OK** button acts as an Enter Key.
  5. Press the **System Reset/Lamp Test** button and ensure that the time and date remain correct.
- Automatic Configuration:**
1. Press the **Menu/Back** button on the system keypad and enter the level 4 password, "444444" (factory default).
  2. Press the **OK** button.
  3. The Main Menu will be displayed. Press the number 1 and the **Configuration Menu** will be displayed.
  4. Press the number 1 to open the **Automatic Configuration Menu**, 2 through 5 are for specific programming and are covered in the Installation Instruction Manual P/N 9000-0447.
  5. Since this is the first time the system is being configured, press the number 1 to initiate the **Clear, Then Configure** process. This will place all of the system settings to the factory default and then read all of the devices correctly connected to the two SLCs. After this process is complete the system may be given an initial test to assure all of the devices have been installed into the system memory.
  6. The Digital Communicator must be programmed and turned "ON" in order to function.



The Class "A" Option Module (CAOM) mounts on the BSM with 2 Metallic standoffs and screws (supplied). It plugs onto connector numbers J10 and J1.



The Municipal Option Module (MCOM) mounts on the BSM with 1 Metallic and 1 Plastic standoff (supplied). It plugs onto connector number J4.



The Printer Module (PTRM) mounts on the BSM with 1 Metallic and 1 Plastic standoff (supplied). It plugs onto connector number J2.

