

SEISKIT-PS/2/4 Product Installation Document

PN 53881:A2 5/3/2011 11-247

The instructions that follow describe requirements for seismic installations using a SEISKIT-PS/2/4 with an FCPS-24S Series or CAB-PS1 backbox and Power Sonic batteries.

The SEISKIT-PS/2/4 that accompanies this document must be used to secure the batteries to the backbox. It consists of a battery bracket and two #8-32 screws and two #8-32 nyloc nuts to secure the bracket over the batteries. When used in combination with the instructions in this document, the installation will meet the requirements of the following standards.

- ASCE 7 - American Society of Civil Engineers document
- IBC 2000 - referencing ASCE 7-98 and ICC AC-156
- IBC 2003 - referencing ASCE 7-02 and ICC AC-156
- IBC 2006 - referencing ASCE 7-05 and ICC AC-156
- IBC 2009 - referencing ASCE 7-05 and ICC AC-156
- CBC 2007 - referencing ASCE 7-05 and ICC AC-156

1 Cabinet Mounting

Specific hardware and installation procedures must be used when mounting the cabinet to conform with seismic rating requirements. Wood, concrete, and steel mounting requirements differ. Before installing the backbox, remove the PC board and transformers, if necessary, and set the board and transformers aside in a safe, clean place. *Avoid static discharge which may damage static sensitive components on the board.* Note there are two sets of lower mounting holes. *Only use the upper set when mounting 12 AH batteries into a CAB-PS1 cabinet.*

1.1 Mounting to Wood



NOTE: Wood lag screws must be embedded 2" (5 cm) minimum into wood. Sheetrock does not count as part of the 2" (5 cm) embedment.

1. If necessary, frame to match the backbox mounting holes.
2. Mark and pre-drill four holes for mounting bolts.
3. Place cabinet over the holes.
4. Install four 1/4" (.6 cm) wood lag screws, using four 1/4" (.6 cm) regular flat washers.

1.2 Mounting to Concrete



NOTE: Hilti Kwik Bolt 3 anchors must be embedded 2" (5 cm) into a concrete masonry wall (CMU), per the requirements of ICC ESR-1385.

1. Mark and pre-drill four holes for the mounting bolts.
2. Place cabinet over the holes. Install four 1/4" diameter Hilti Kwik Bolt 3 anchors, using four 1/4" (.6 cm) regular flat washers.

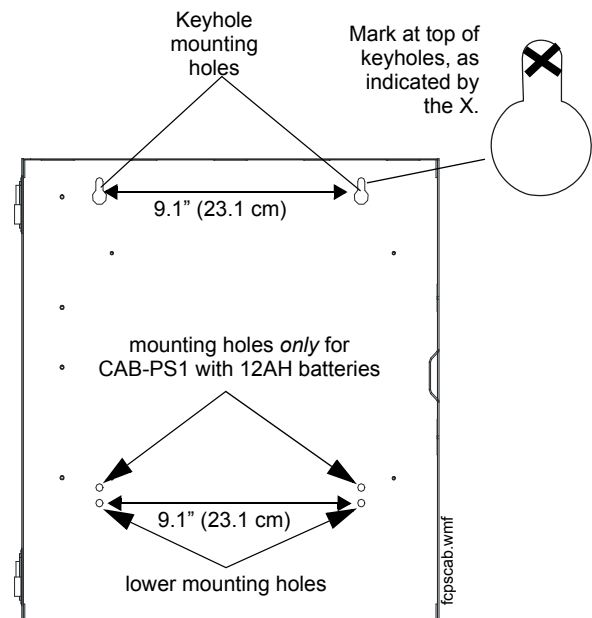


Figure 1 Mounting the Backbox

1.3 Mounting to Steel Studs

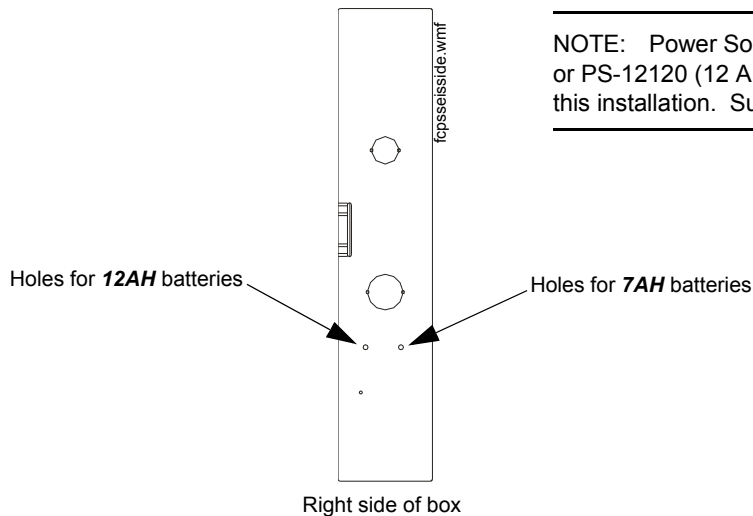
- Use 1/4" Hilti Kwik-Pro self drilling screws per ICC ESR-2196.

1.4 U-Struts

- Use A1000 Series Unistrut with A1006-1420 through A1008-1420 (Channel Nut with Spring, 1-1/4" Series), which will accommodate the 1/4" (0.6 cm) hardware.
- Span shall not be greater than width of unit + 12" (30.5 cm).
- Anchor into substrate per sections 1.1, 1.2, and 1.3.
- Install per manufacturer's instructions.

2 Battery Bracket Installation

1. Drill appropriate dimples on *both sides* of backbox (if holes are not punched), depending on battery size, using a 3/16" drill bit as shown below.
2. Place batteries in bottom right of cabinet.
3. Place bracket assembly over batteries, aligning over holes drilled in step 1.
4. Attach bracket to cabinet with the two included #8-32 screws and nyloc nuts.



NOTE: Power Sonic batteries, p/n PS-1270 (7AH) or PS-12120 (12 AH) respectively, must be used in this installation. Substitutions are not acceptable.

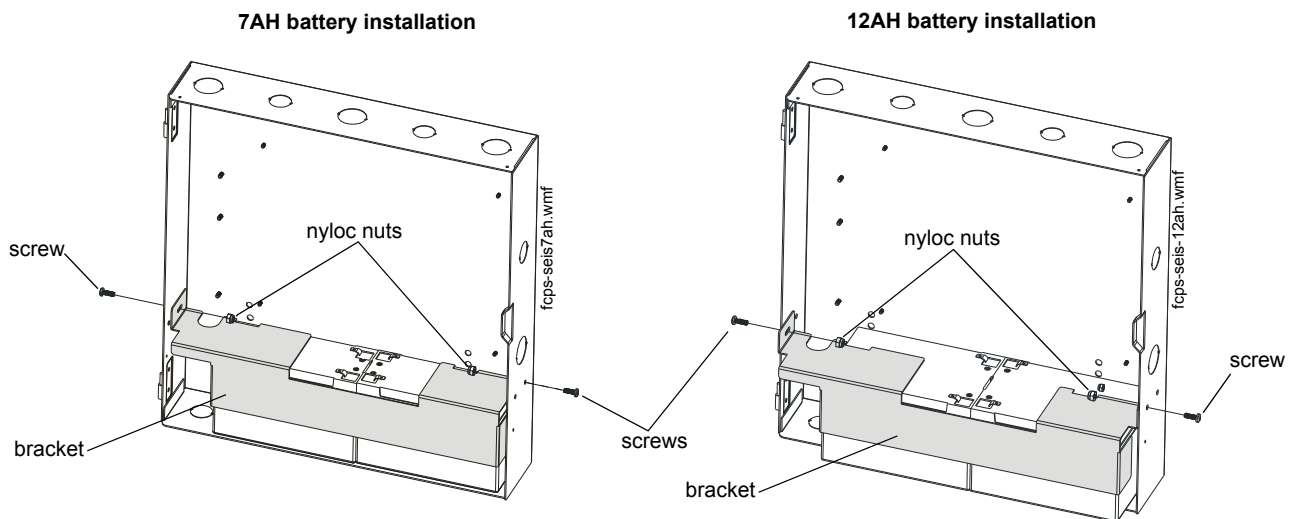


Figure 2 Mounting the Battery Bracket