

SEISKIT-2550 Product Installation Document

PN 53882:A 9/7/2010 10-510

The instructions that follow describe requirements for seismic installations using a SEISKIT-2550 with an Audio Command Center Series backbox and Power Sonic batteries.

The SEISKIT-2550 that accompanies this document must be used to secure the batteries to the backbox. It consists of a battery bracket and battery plate for 18AH batteries, a battery bracket for 12AH batteries, a battery bracket and L-bracket for 7AH batteries, and all necessary mounting hardware. When used in combination with the instructions in this document, the installation will meet the requirements of the following standards.

- ASCE 7 - American Society of Civil Engineers document
- IBC 2000 - referencing ASCE 7-98 and ICC AC-156
- IBC 2003 - referencing ASCE 7-02 and ICC AC-156
- IBC 2006 - referencing ASCE 7-05 and ICC AC-156
- IBC 2009 - referencing ASCE 7-05 and ICC AC-156
- CBC 2007 - referencing ASCE 7-05 and ICC AC-156

1 Cabinet Mounting

Specific hardware and installation procedures must be used when mounting the cabinet to conform with seismic rating requirements. Wood, concrete, and steel mounting requirements differ. The cabinet door can be removed for easier installation by opening it and lifting it off the pin hinges. Before installing the backbox, remove the PC board and transformers. Set the board and transformers aside in a safe, clean place. *Avoid static discharge which may damage static sensitive components on the board.*

1.1 Mounting to Wood



NOTE: Wood lag screws must be embedded 2" (5 cm) minimum into wood. Sheetrock does not count as part of the 2" (5 cm) embedment.

1. If necessary, frame to match the backbox mounting holes.
2. Mark and pre-drill four holes for mounting bolts.
3. Place cabinet over the holes.
4. Install four 1/4" (.6 cm) wood lag screws, using four 1/4" (.6 cm) regular flat washers.

1.2 Mounting to Concrete



NOTE: Hilti Kwik Bolt 3 anchors must be embedded 2" (5 cm) into a concrete masonry wall (CMU), per the requirements of ICC ESR-1385.

1. Mark and pre-drill four holes for the mounting bolts.
2. Place cabinet over the holes. Install four 1/4" diameter Hilti Kwik Bolt 3 anchors, using four 1/4" (.6 cm) regular flat washers.

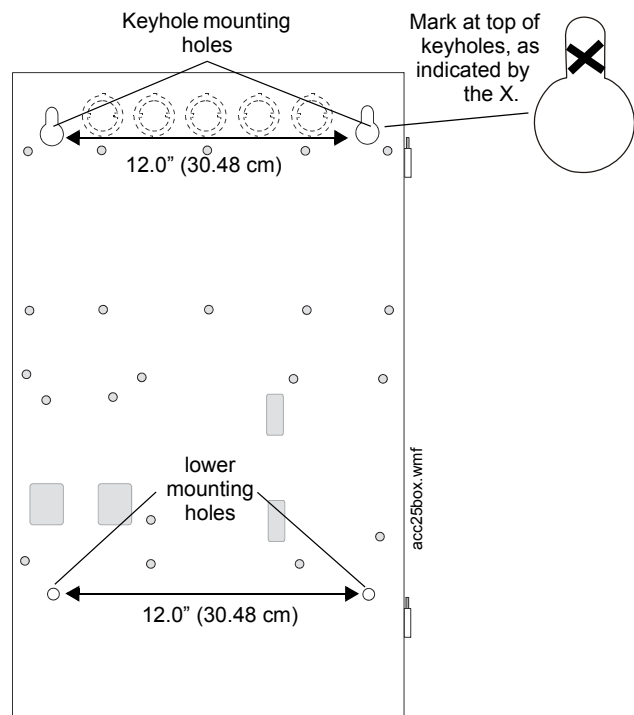


Figure 1 Mounting an Audio Backbox

1.3 Mounting to Steel Studs

- Use 1/4" Hilti Kwik-Pro self drilling screws per ICC ESR-2196.

1.4 U-Struts

- Use A1000 Series Unistrut with A1006-1420 through A1008-1420 (Channel Nut with Spring, 1-1/4" Series), which will accommodate the 1/4" (0.6 cm) hardware.
- Span shall not be greater than width of unit + 12" (30.5 cm).
- Anchor into substrate per sections 1.1, 1.2, and 1.3.
- Install per manufacturer's instructions.

2 Battery Bracket Installation

2.1 Installing 18AH Batteries

1. Install the battery bracket by aligning it over the cabinet pem studs as shown below.
2. Secure bracket with two #4-40 keps nuts.

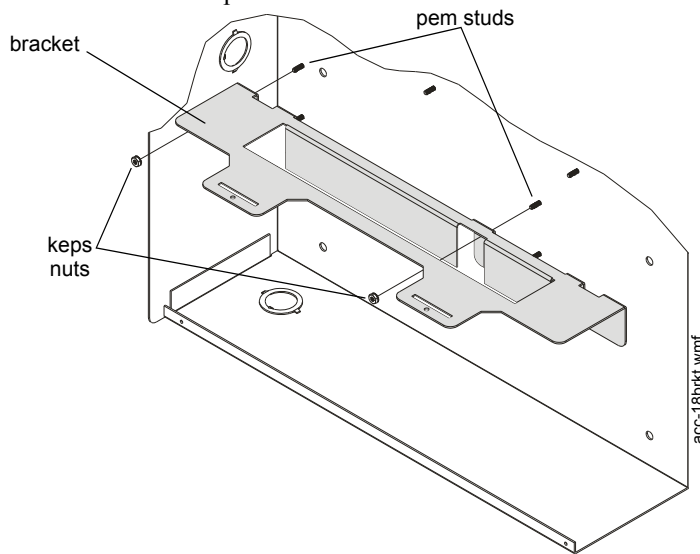


Figure 2 Installing the 18AH Battery Bracket

3. Install 18AH batteries by lifting the front tabs of the bracket.

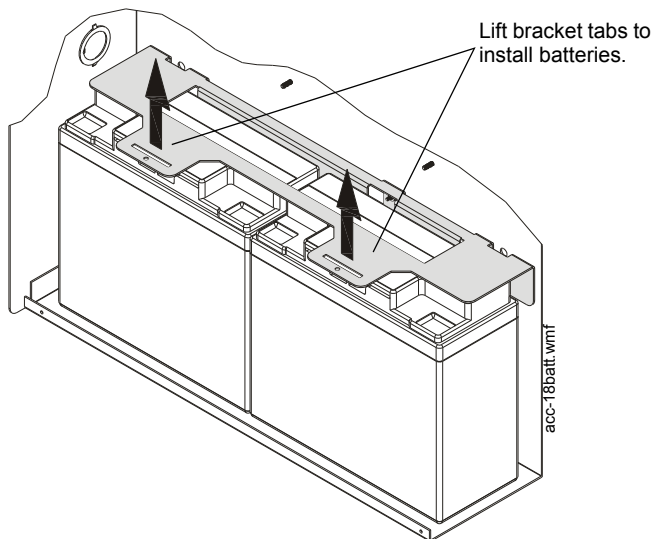


Figure 3 Installing 18AH Batteries

NOTE: Power Sonic batteries, p/n PS-12180, must be used in this installation. Substitutions are not acceptable.

- Secure the batteries by hooking the battery plate into the tabs on the battery bracket.

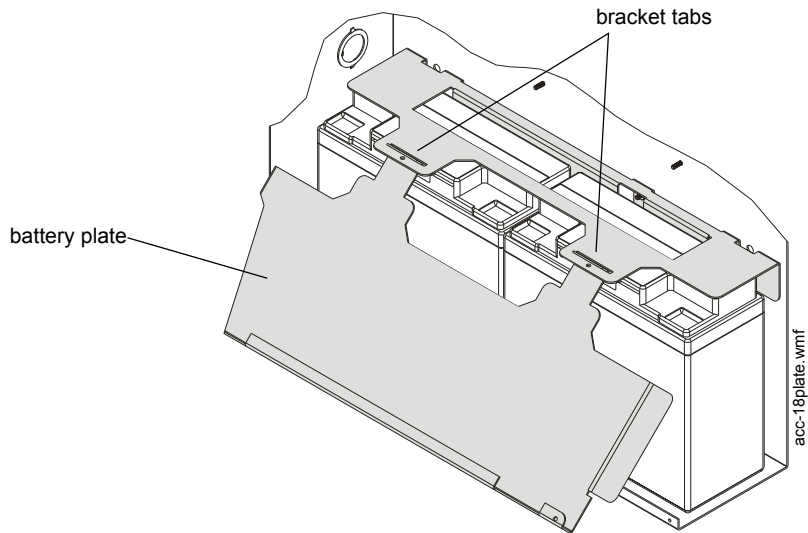


Figure 4 Installing the 18AH Battery Plate

- Secure the battery plate to the bracket and cabinet with two #6-32 screws, and two #4-40 screws which also secure the dress panel.

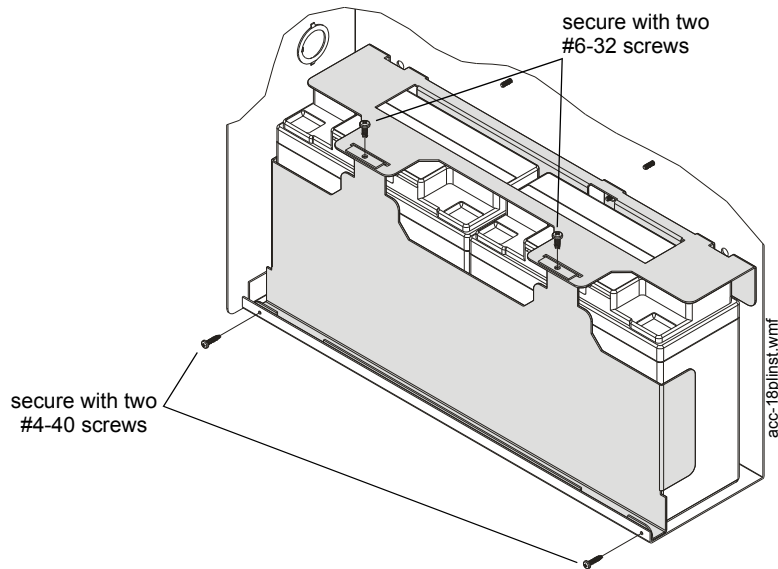
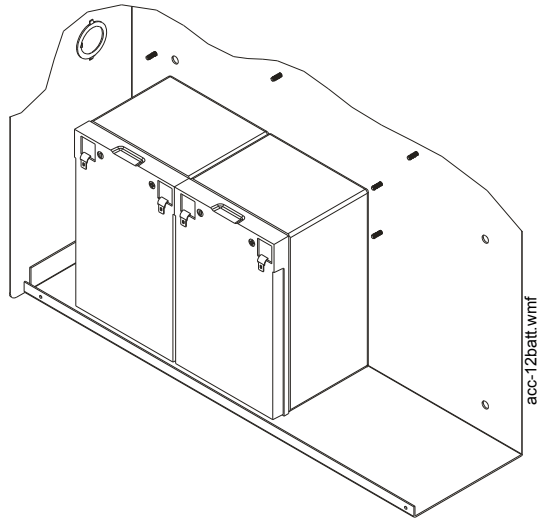


Figure 5 Securing the 18AH Battery Plate

2.2 Installing 12AH Batteries

1. Place the 12AH batteries in the bottom left of the cabinet between the pem studs as shown below.



NOTE: Power Sonic batteries, PS-12120, must be used in this installation. Substitutions are not acceptable.

Figure 6 12AH Battery Placement

2. Install the battery bracket by aligning it over the cabinet pem studs as illustrated below, being careful not to touch the bracket to the battery terminals. Secure with four #4-40 keps nuts.

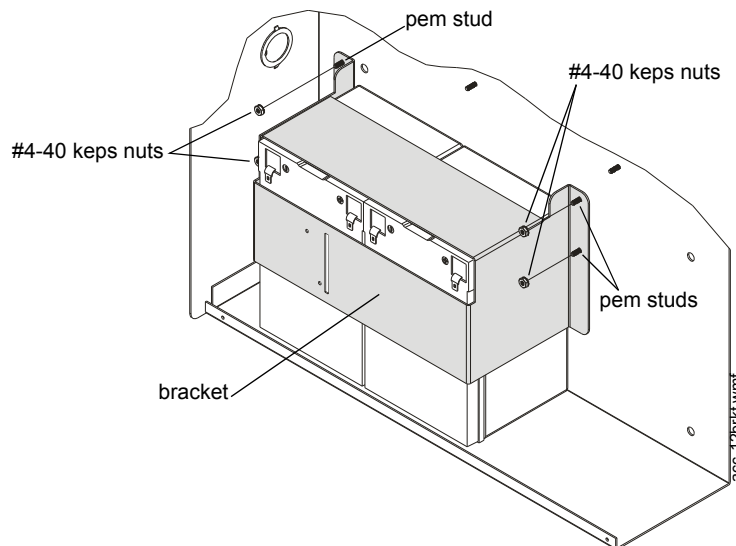
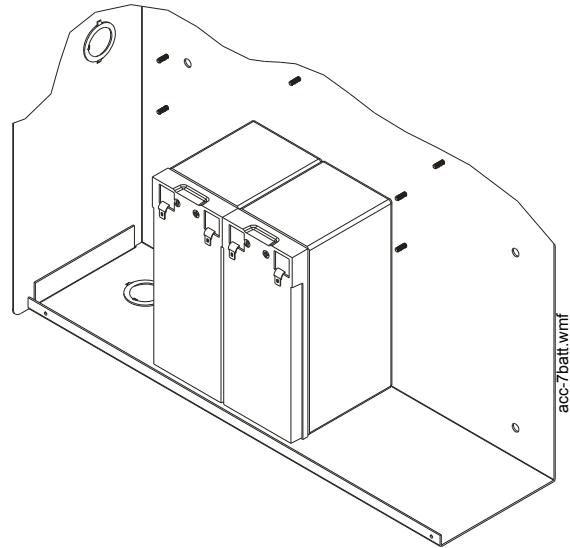


Figure 7 Installing the 12AH Battery Bracket

2.3 Installing 7AH Batteries

1. Place the 7AH batteries in the bottom center of the cabinet between the pem studs as shown below.



NOTE: Power Sonic batteries, PS-1270, must be used in this installation. Substitutions are not acceptable.

Figure 8 7AH Battery Placement

2. Install the battery bracket by aligning it over the cabinet pem studs as illustrated below, being careful not to touch the bracket to the battery terminals. Secure with four #4-40 keps nuts.
3. Slide the L-bracket through the slot on the battery bracket and secure with two #4-40 screws.

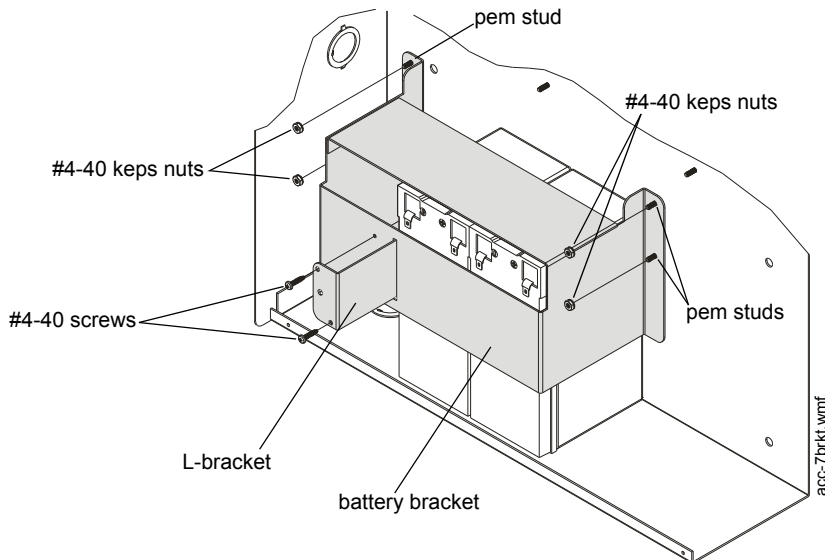


Figure 9 Installing the 7AH Battery Bracket