

STI Stopper® "G"

Glass Manual Pull Station Cover



Miscellaneous

General

The Safety Technology International, Inc. Stopper® "G" is designed for applications where a "Break Glass" cover is specified or desired, such as in dormitories or other supervised areas. Stopper® "G" consists of a red cover, single-strength glass (which is easily replaced when broken), a glass-breaking metal bar, and anchors, ready for simple installation. As with the Stopper® II, legitimate alarms can still be activated.

Features

- Aesthetically appealing and easily installed.
- Fits virtually all manual stations.
- Glass replacement is easy. (Suggestion: Order extra panes with each Stopper® "G".)
- Fire alarm remains visible and accessible.

Dimensions

STOPPER® "G"-L

Outside dimensions: 7" wide X 9" long

Inside dimensions: 5" wide X 6-1/2" long

STOPPER® "G"-S

Outside dimensions: 5-5/8" wide X 7" long

Inside dimensions: 3-3/4" wide X 5-1/8" long

Product Line Information

STI-4100: Stopper® "G"-L, Large Break Glass Cover.

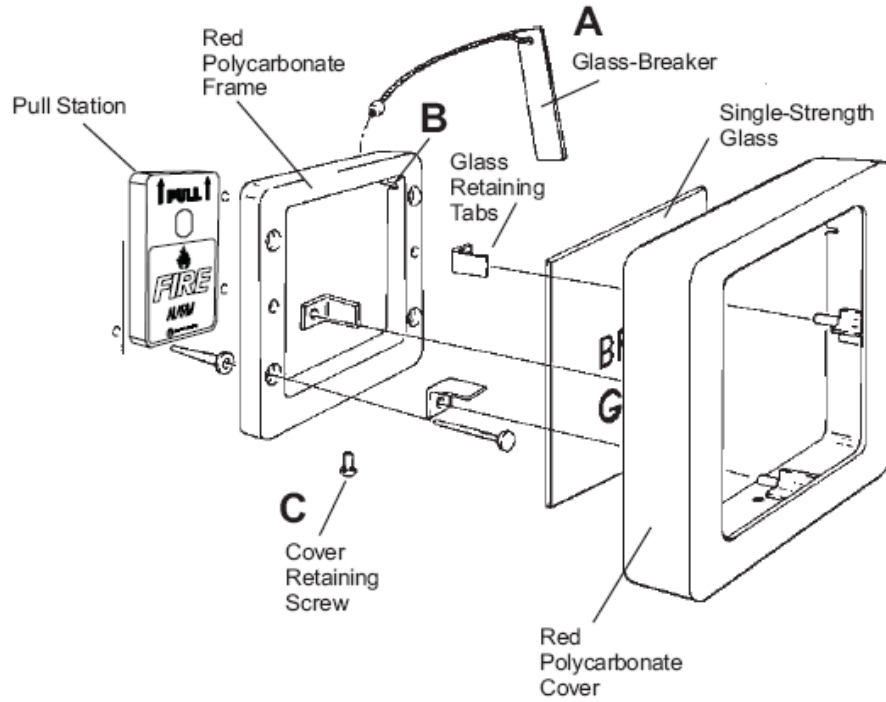
STI-6100: Stopper® "G"-S, Standard Break Glass Cover.

STI-4001: Replacement Glass for STI-4100.

STI-6001: Replacement Glass for STI-6100



3486prt.tif



NOTIFIER® is a registered trademark of Honeywell International Inc.
 ©2010 by Honeywell International Inc. All rights reserved. Unauthorized use
 of this document is strictly prohibited.



This document is not intended to be used for installation purposes.
 We try to keep our product information up-to-date and accurate.
 We cannot cover all specific applications or anticipate all requirements.
 All specifications are subject to change without notice.



Made in the U.S. A.

For more information, contact Notifier. Phone: (203) 484-7161, FAX: (203) 484-7118.
www.notifier.com